

Back

- o Flat Cable Connectors SEK
- o *har-mik®*
- o D-Sub
- o InduCom

➔ Applications



Product details

09 20 004 2711

Female insert, Han 4 A

Series	Han A®
Number of contacts	4 poles + PE
Size of hood/ housing	Han® 3 A
Termination	Screw termination
Insert material	Standard material
Contacts	Inclusive
Electrical data	10 A 230/400 V 4 kV 3
RoHS compliant	Yes

Available Downloads

Title	Format	
Data sheet	PDF	↕ download
CAD data 2D	DXF	↕ download
CAD data 3D	IGES	↕ download
CAD data 3D	STEP	↕ download

Inquiry

5

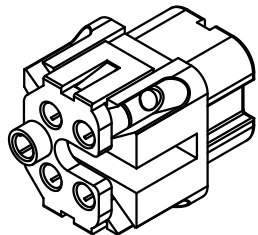
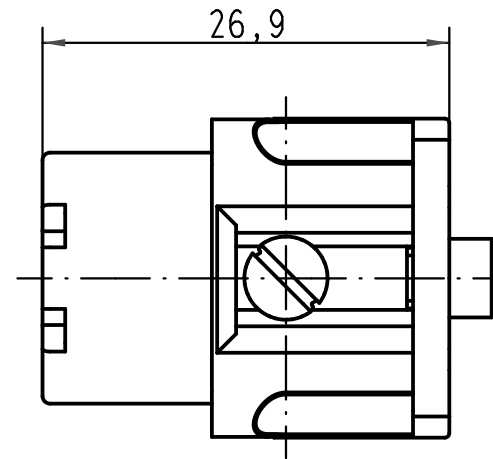
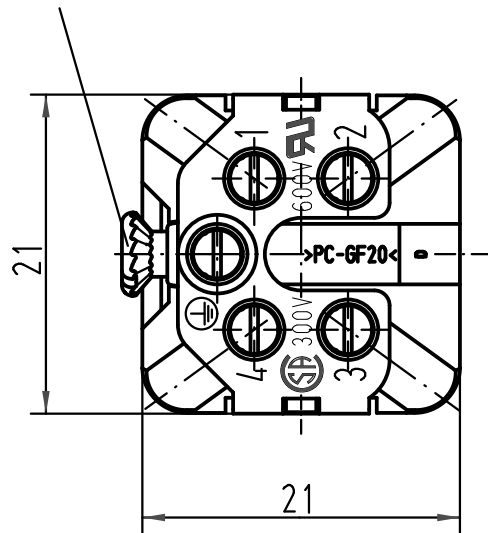
4

3

2

1

Senkschraube M3x6-4.8
lose beigelegt
Countersunk screw M3x6-4.8
loose enclosed



All Dimensions in mm Original Size DIN A 4			Techn. Character.			Nicht tolerierte Masse/ Free size tolerances	
				Dat.	Name	Massstab/ Scale 2:1	Han 4A-F Buchseneinsatz/ female insert
			Detail.	27.01.93	WILD		
413664	14.02.08	Rull	Insp.		HERB		
410228	18.10.02	Loe.	Stand.				
27851	28.06.00	Pae	HARTING Electric GmbH & Co. KG D-32339 Espelkamp				TB 09 20 004 2711
25852	16.04.99	PL					
Mod.	Dat.	Name					
						Sub.	Blatt/ page